

1 N Clip Grips

These very low force 1 N (0.22 lbf) clip grips are for tensile testing fibers, tapes, and other similar shaped specimens. They are designed for use with 50 N (11 lbf) and below load cells.

Each grip kit comes with upper and lower grips, an S-shaped joint, and two load cell connectors that screw directly into load cells. The load cell connectors supplied with the grips are compatible with AG-X plus series 50 N and below load cells and AGS-X series and EZ-X series 1 N and 2 N (0.44 lbf) load cells.

1 N clip grips are offered with two kinds of grip faces: leather-coated grip faces and rubber-coated grip faces. When rubber-coated grip faces are installed, the operational temperature range of these grips is reduced to between 0 and 60°C (32 and 140°F).

Relevant Materials

Yarn, Plastics

Relevant Specimens

Fibers, Tapes



Operation

The grip faces on each grip are operated by two levers, one connected to each grip face. To mount a specimen, the levers are squeezed together, the specimen is placed between the grip faces, and the levers are slowly released. Adjustment of the clamping force is made by changing the tension on a spring that, in turn, applies tension to the grip face levers.



Clip operation



Adjustment screw for clamping force



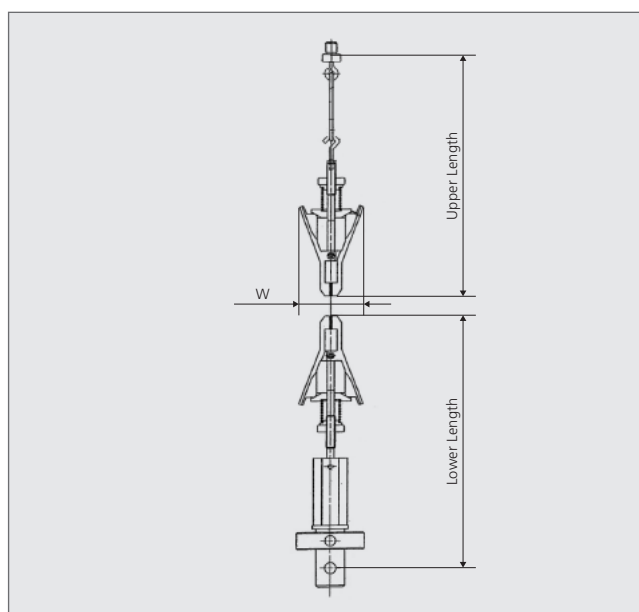
Rubber-coated grip faces

Specification

Maximum Grip Capacity			Applicable Specimen Thickness	Grip Face Size		Temperature Range Note 1	Grip Size		Upper Grip Mass	Upper Fittings	Lower Grip Ø Fitting (Ø pin)
				Width	Length		Width	Length Upper / Lower Note 2			
N	kgf	lbf	mm (in)	mm (in)	mm (in)	°C (°F)	mm (in)	mm (in)	kg (lb)	mm	mm
1	0.10	0.22	0 to 0.5 (0 to 0.02)	8 (0.31)	8 (0.31)	-10 to 60 (14 to 140)	35 (1.4)	170 / 150 (6.7 / 5.9)	0.020 (0.044)	M12 screw, 1.5 pitch and 4-40UNC	16 (6.5)

Note 1: The operational temperature range of 1 N clip grips is reduced to between 0 and 60°C (32 and 140°F) when rubber-coated grip faces are installed.

Note 2: Upper grip length includes the length of the S-shaped joint.



Ordering Information

P/N	Description
1 N Clip Grip Kits Note 3	
Includes: upper and lower 1 N clip grips, an S-shaped joint, and two load cell connectors	
343-06705-13	1 N clip grip kit with leather-coated grip faces
343-06705-12	1 N clip grip kit with rubber-coated grip faces

Note 3: Designed for use with 50 N and below load cells.

Second Edition: May, 2015



Company names, product/service names and logos used in this publication are trademarks and trade names of Shimadzu Corporation or its affiliates, whether or not they are used with trademark symbol "TM" or "®". Third-party trademarks and trade names may be used in this publication to refer to either the entities or their products/services. Shimadzu disclaims any proprietary interest in trademarks and trade names other than its own.

For Research Use Only. Not for use in diagnostic procedures. The contents of this publication are provided to you "as is" without warranty of any kind, and are subject to change without notice. Shimadzu does not assume any responsibility or liability for any damage, whether direct or indirect, relating to the use of this publication.